



**MURPHY**<sup>®</sup>  
by **ENOVATION CONTROLS**

# AFR-9R CONTROLLER

## RICH BURN NATURAL GAS ENGINE AIR/FUEL RATIO CONTROLLER

### Simple Control for Complicated Sites

Utilizes Powerful PowerView<sup>®</sup> 450 Full-Color Display

Simplest multi-set point (9) air/fuel ratio controller on the market

Easy on-screen interface for convenient set up and operation

Nine air/fuel set points matched to specific engine load conditions

Operator help key on display

Designed for applications with varying engine loads

Ongoing compliance in high-variable environments



The AFR-9R air/fuel ratio controller is exactly the right choice. It is pure simplicity at every step – from installation to operation.

The AFR-9R offers the same simplicity as the AFR-1R model such as non-intrusive installation and streamlined, menu-driven navigation but with more set points, for even tighter control.

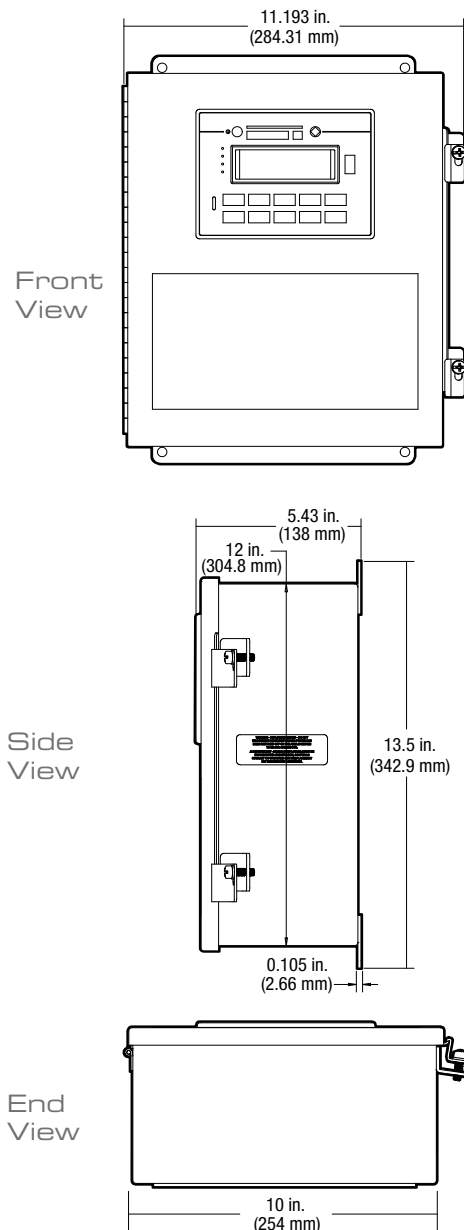
The AFR-9R features nine set point targets based on a combination of three RPM settings and three manifold pressure settings. As your engine's load conditions change, the AFR-9R continues to make sure it is in the best possible operating range for optimum catalyst performance.

Now featuring the PowerView 450 display, the AFR-9R controller offers an easy-to-use interface for convenient setup and operation.

If your site is facing tightening regulations, changes in ambient temperature, big load swings or gas quality/pressure changes, the AFR-9R is the right choice. It is a simple air/fuel ratio controller with more flexibility.

# AFR-9R CONTROLLER

## STANDARD DIMENSIONS



## SPECS:

- Set point and operation done entirely through the PowerView 450 display
- Designed for wide range horsepower, gas fueled, carbureted rich-burn industrial engines
- Microprocessor-based controller with nine air/fuel set points
- Available with either the non-intrusive fuel enrichment strategy or the in-line fuel authority control strategy
- Proportional solenoid control valves used for quick response time (available)
- Full-authority valve (available)
- Map sensor to measure variances in manifold air pressure
- Post catalyst, oxygen sensor input for real-time adaption to changing catalyst performance (post catalyst sensor is optional).
- Pre and Post catalyst differential temperature displayed when using (optional) ungrounded Type K thermocouples
- Separate alarm and shut-down dry-contact relays for flexibility in setup and operation
- Heated exhaust gas oxygen sensors for optimum Air/Fuel Ratio control
- 12/24 VDC nominal
- Magnetic pickup or CD ignition input for engine speed operating reference
- Can be upgradeable to AFR-64R (64 set point controller)

### ENOVATION CONTROLS CORPORATE HEADQUARTERS

5311 S 122ND EAST AVENUE  
TULSA, OK 74146

### ENOVATION CONTROLS – SAN ANTONIO OFFICE

5757 FARINON DRIVE  
SAN ANTONIO, TX 78249

### ENOVATION CONTROLS – HOUSTON OFFICE

105 RANDON DYER RD  
ROSENBERG, TX 77471

### ENOVATION CONTROLS LTD. – UNITED KINGDOM

CHURCH ROAD LAVERSTOCK  
SALISBURY SP1 1QZ UK

### MURPHY ECONTROLS TECHNOLOGIES (HANGZHOU) CO, LTD.

77 23RD STREET  
HANGZHOU ECONOMIC & TECHNOLOGICAL DEVELOPMENT AREA  
HANGZHOU, ZHEJIANG 310018 CHINA

### U.S. SALES & SUPPORT

#### ECONTROLS PRODUCTS

PHONE: 210 495 9772  
FAX: 210 495 9791  
EMAIL: INFO@ENOVATIONCONTROLS.COM  
WWW.ECONTROLS.COM

#### MURPHY PRODUCTS

PHONE: 918 317 4100  
FAX: 918 317 4266  
EMAIL: SALES@ENOVATIONCONTROLS.COM  
WWW.FWMURPHY.COM

#### MURPHY CONTROL SYSTEMS & SERVICES

PHONE: 281 633 4500  
FAX: 281 633 4588  
EMAIL: CSS-SOLUTIONS@ENOVATIONCONTROLS.COM

#### MURPHY INDUSTRIAL PANEL DIVISION

PHONE: 918 317 4100  
FAX: 918 317 4124  
EMAIL: IPDSALES@ENOVATIONCONTROLS.COM

### INTERNATIONAL SALES & SUPPORT

#### UNITED KINGDOM

PHONE: +44 1722 410055  
FAX: +44 1722 410088  
EMAIL: SALES@ENOVATIONCONTROLS.EU  
WWW.FWMURPHY.EU

#### CHINA

PHONE: +86 21 6237 5885  
FAX: +86 21 6237 5887  
EMAIL: APSALES@ENOVATIONCONTROLS.COM

#### LATIN AMERICA & CARIBBEAN

PHONE: 918 317 2500  
EMAIL: LASALES@ENOVATIONCONTROLS.COM

#### SOUTH KOREA

PHONE: +82 70 7951 4100  
EMAIL: SKOREASALES@ENOVATIONCONTROLS.COM

#### INDIA

PHONE: +91 91581 37633  
EMAIL: INDIASALES@ENOVATIONCONTROLS.COM



FM 28221 (Tulsa, OK - USA)  
FM 620657 (San Antonio, TX - USA)  
FM 28221 (Rosenberg, TX - USA)  
FM 29422 (UK)



FM 523851 (China) TS 589322 (China)